

Bell-Lift Kilns are ideal for sculpture, large format work and production loading

FEATURES

Availability: DaVinci X3200-D & T3400-D Kiln Series. Also a special version exists for much larger kilns (TB644754-D).

Application: A common complaint concerning top loading kilns, the larger ones in particular, is that it is difficult to load them. This is especially true for larger pieces, and in a production environment this labor intensive job can become very expensive over time. Moreover, some people simply aren't capable of doing this strenuous and heavy lifting. Front loading kilns are often desired because they seem to be easier to load, however, it is still a strain to put a heavy piece into the back of a front-loading kiln and these kilns are generally more expensive. Shuttle kilns or envelope kilns work well for loading but they are also very expensive. Bell-lift kilns are one good solution for this problem.

How it Works: The Bell-Lift accessory lifts the whole kiln up as a unit exposing the bottom of the kiln for loading from all four sides. The kiln sections and top are held together as one unit with a metal support frame. This unit is lifted up with a ratcheted hand winch mounted on the external frame. (Electric winches are available as an upgrade.) There are manual safety pins that lock the kiln in place when the kiln is fully raised.

Construction: This whole support frame is made from heavy duty welded parts that are easily assembled on site so that the system can be easily broken down for inexpensive common carrier shipping. (It is a two to three person job to assemble the kiln. Only simple tools, like wrenches are required).

DIMENSIONS

Height: A 18", 27" or 36" high kiln (interior) will be 105" high, and a 45" high kiln will be 123" high.

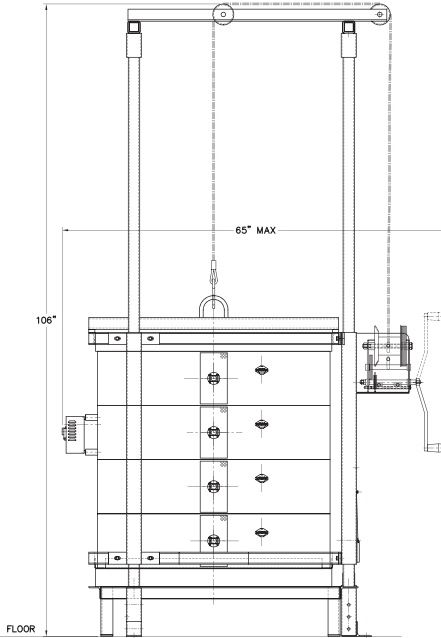
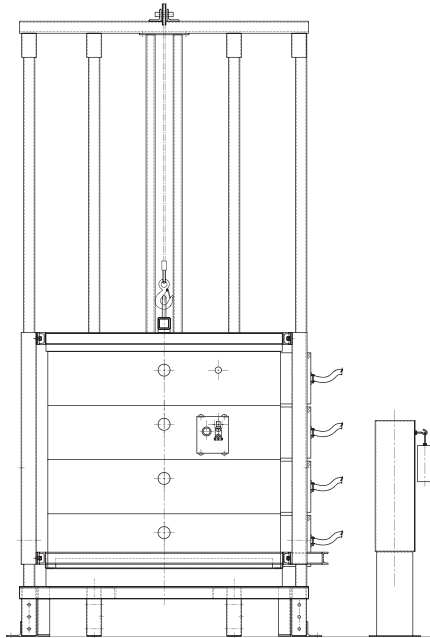
General Dimensions: See reverse side.



DAVINCI Bell-Lift Option

DAVINCI Bell-Lift Option





The kiln shown at the top is the X3236-D. The one below is the T3445-D. All the 45" high models have the height of this T3445-D. All the 36", 27" and 18" high models have the height of the X3236-D.

Contact the factory for complete General Dimension drawings.

